

4000 Series Rotary Unions for General Purpose

Water, Saturated Steam & Hot Oil Services



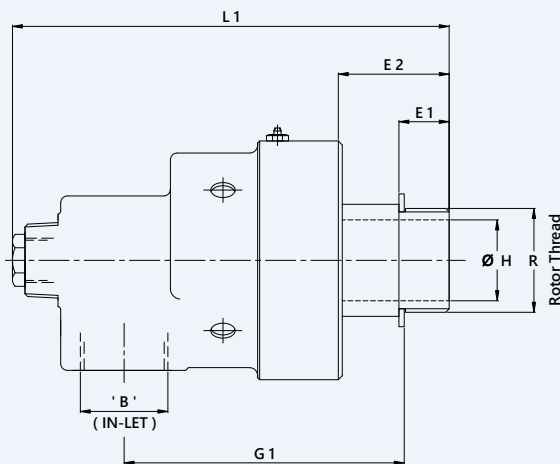
Special Design Features

- Self-supported rotary union
- Cast Iron housing
- Corrosion resist stainless steel rotor
- Highly precise and lubricated heavy duty ball bearings for long life and stable rotation
- Specially designed mechanical seals to sustain high pressure changes with minimum friction and wear for prolong service life
- Available in two seal face combinations
 - * Carbon Graphite to Ceramic
 - * Tungsten Carbide to Ceramic (suitable for poor media quality)
- Designed for both mono-flow and duo-flow
- Available in both US and metric standards
- Easy installation & maintenance

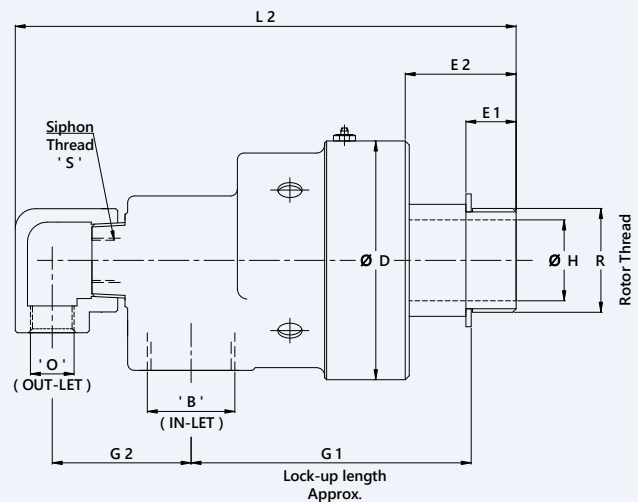
Technical Data

- Max. Water Pressure 14 bar (200 psi)
- Max. Saturated Steam Pressure 1 bar (14 psi)
- Max. Temperature 120°C (248° F)
- Max. Rotor Speed 750 rpm
- Max. Flow of Media 80 L / min

Mono-flow Design



Duo-flow Design



Size	Model No.		'B' Port Size	'R' Rotor Thread	'O' Outlet Thread	'S' Siphon Thread	Ø D	E 1	E 2	G 1 Lockup Approx.	G 2	Ø H	L 1	L 2	'P' Plug Thread
	Mono-flow	Duo-flow													
DN 65 2-1/2"	4000-165-11R	4000-265-11R	2-1/2"	G 2-1/2" BSP-RH	1-1/4"	1" NPT	177.5	38	82	208	109	60.3	312	382	1" NPT
	4000-165-11L	4000-265-11L	2-1/2"	G 2-1/2" BSP-LH	1-1/4"	1" NPT	177.5	38	82	208	109	60.3	312	382	1" NPT
	4000-165-12R	4000-265-12R	2-1/2"	G 2-1/2" NPT-RH	1-1/4"	1" NPT	177.5	48	82	208	109	60.3	312	382	1" NPT
	4000-165-12L	4000-265-12L	2-1/2"	G 2-1/2" NPT-LH	1-1/4"	1" NPT	177.5	48	82	208	109	60.3	312	382	1" NPT
	4000-165-100	4000-265-100	2-1/2"	Quick Release Nipple Connection	1-1/2"	1-1/2" NPT	177.5	---	82	208	112	60.3	312	382	1-1/2" NPT

Subject to technical & dimensional changes without prior notice.
Customized models are available on request.